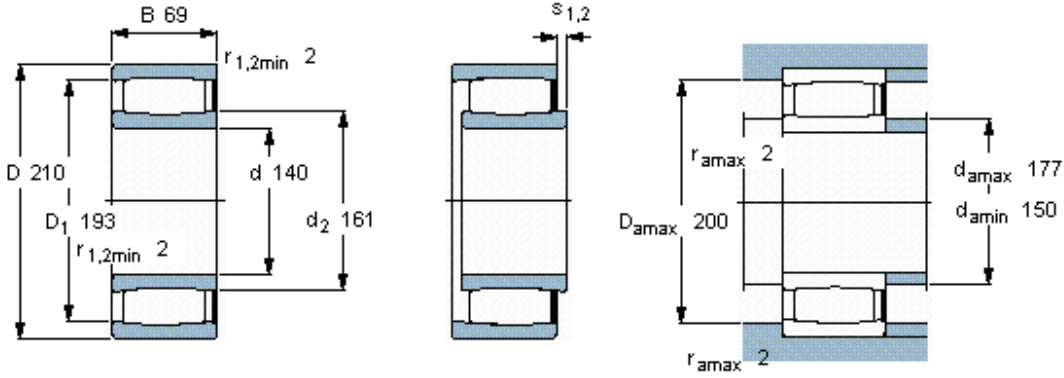


CARB toroidal roller bearings, cylindrical and tapered bore

Principal dimensions			Basic load ratings		Speed ratings		Designation	
d	D	B	dynamic C	static C0	Reference speed	Limiting speed	* SKF Explorer bearing	** Check availability
mm			kN		r/min		-	
140	210	69	750	1220	-	800	C 4028 V *	-



Axial displacement s_1	11,4	
Axial displacement s_2 (retaining ring side)	5,9	
Misalignment factor k_1	0,115	
Operating clearance factor k_2	0,097	